



## GO-TO FILING CABINET RANGE

### PRODUCT SPECIFICATIONS





## GO-TO VERTICAL FILING CABINET



The Go-To Vertical Filing Cabinets offer robust and efficient document storage designed for busy office environments. Constructed with durable steel and featuring anti-tilt mechanisms for safety, these units provide secure, high-density filing. Available in multiple drawer configurations, they ensure your critical documents are organized, accessible, and protected for years of reliable use.

### KEY FEATURES

- Recessed handles
- Anti-tilt mechanism for added safety
- Drawer fronts include full-length label holder
- Master Key or 'Key to like' available
- Fitted with barrel exchange locks
- Heavy-duty double extension ball bearing runners fitted for full drawer access
- 30kg drawer capacity uniformly distributed load (UDL)
- Quality powder coated finish
- Available in 2, 3 and 4 drawer models

### LEAD TIME & WARRANTY

- 2-4 week lead time
- 10 year warranty

### OPTIONS

- Custom powdercoat (MOQ applies)

### CERTIFICATIONS

- 100% recyclable steel
- 20% recycled steel content
- AFRDI Blue Tick Certified



### FINISHES

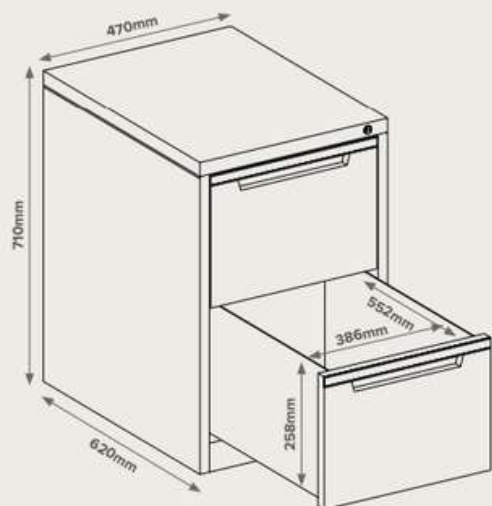
- White Satin
- Black Satin
- Silver Grey
- Graphite Ripple



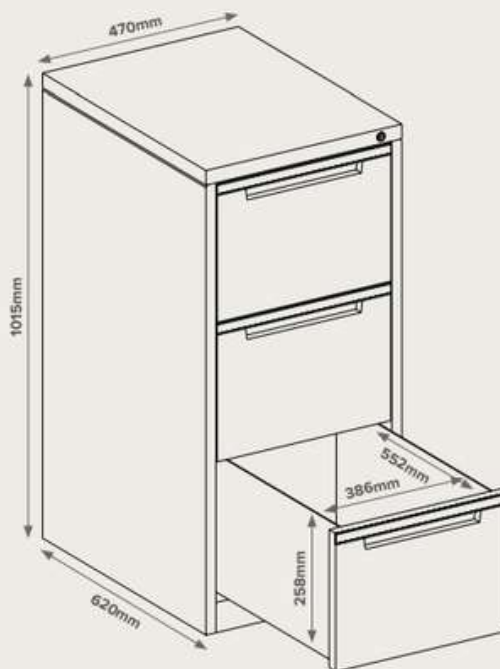


# GO-TO VERTICAL FILING CABINET

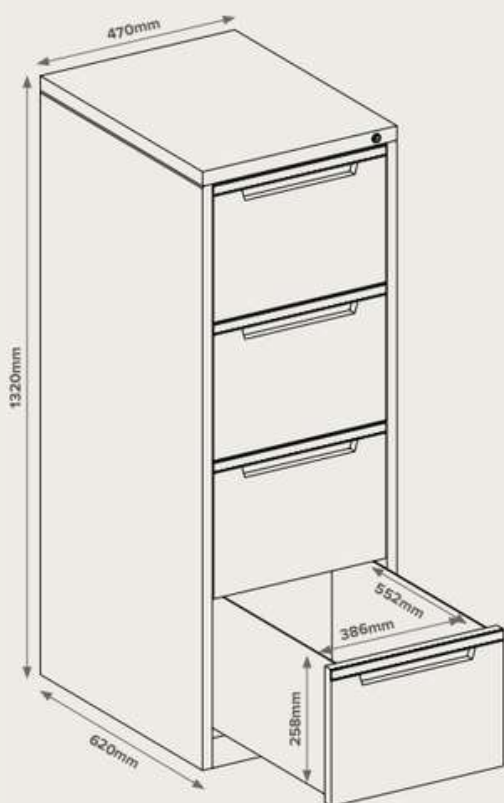
## DIMENSIONS



2 Drawer



3 Drawer



4 Drawer



## GO-TO LATERAL FILING CABINET



The Go-To Lateral Filing Cabinets maximise efficient, high-density storage within any workspace. Constructed with robust steel and featuring anti-tilt safety mechanisms, these wide units offer secure, accessible filing for high-volume documents. Available in multiple drawer configurations, they ensure critical documents are neatly organised and protected for long-term, reliable use.

### KEY FEATURES

- Recessed handles
- Anti-tilt mechanism for added safety
- Master Key or 'Key to like' available
- Fitted with barrel exchange locks
- Full extension ball bearing runners fitted for full drawer access
- 60kg drawer capacity uniformly distributed load (UDL)
- Quality powder coated finish
- Available in 2, 3 and 4 drawer models

### LEAD TIME & WARRANTY

- 2-4 week lead time
- 10 year warranty

### OPTIONS

- Custom powdercoat (MOQ applies)

### CERTIFICATIONS

- 100% recyclable steel
- 20% recycled steel content
- AFRDI Blue Tick Certified



### FINISHES

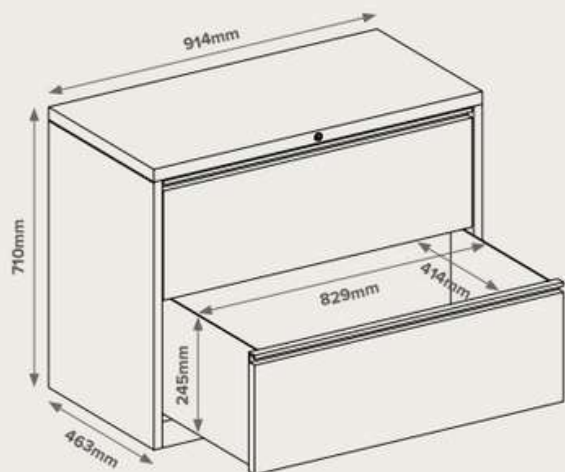
- White Satin
- Silver Grey
- Graphite Ripple



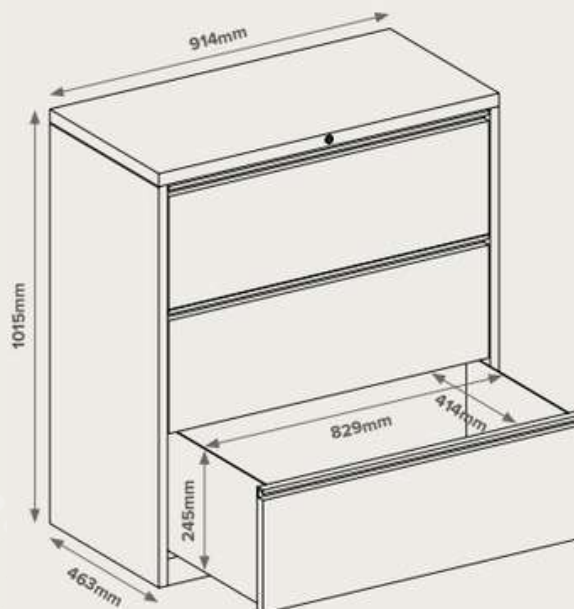


# GO-TO LATERAL FILING CABINET

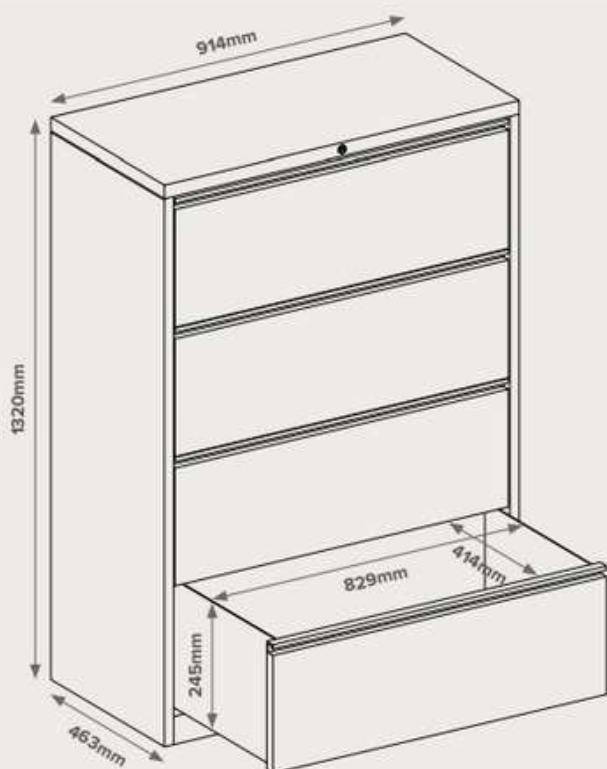
## DIMENSIONS



2 Drawer



3 Drawer



4 Drawer





# GO-TO FILING CABINET RANGE

## FINISHES

### STANDARD (STOCKED)



White  
Satin



Black  
Satin  
(Vertical only)



Graphite  
Ripple



Silver  
Grey

### EXTENDED (MADE-TO-ORDER)



Satin  
Silver



Light  
Grey



Grey



Dark  
Grey



Beige



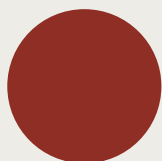
Blaze  
Blue



Oxford  
Blue



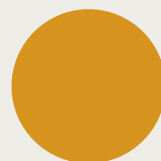
Lawn  
Green



Signal  
Red



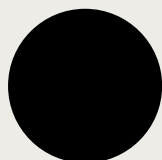
Orange



Dark  
Yellow



Lemon  
Yellow



Satin  
Black  
(custom for  
Lateral)

Custom colours  
available on request.  
MOQ may apply.



Winya Indigenous Commercial Furniture  
[www.winya.com.au](http://www.winya.com.au)  
[info@winya.com.au](mailto:info@winya.com.au)  
1300 184 799